

Automatic Connectors

Steel, for Aluminum Profiles (b-Modular System),
Right-Angled or End Face Connection

SPECIFICATION

Profile types

- Type **L**: Light
- Type **S**: Heavy

Coding

- **R**: Right-angled connection
- **S**: End face connection

Steel, zinc plated, blue passivated **SZ**

INFORMATION

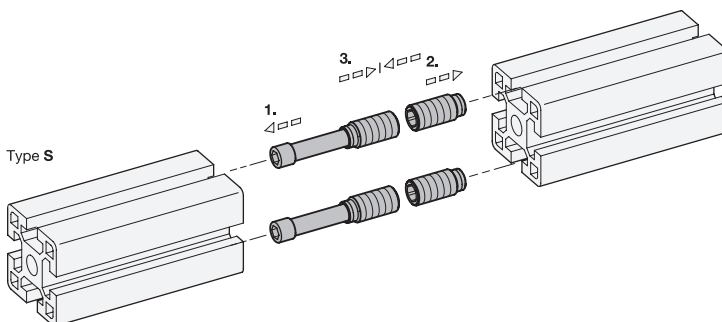
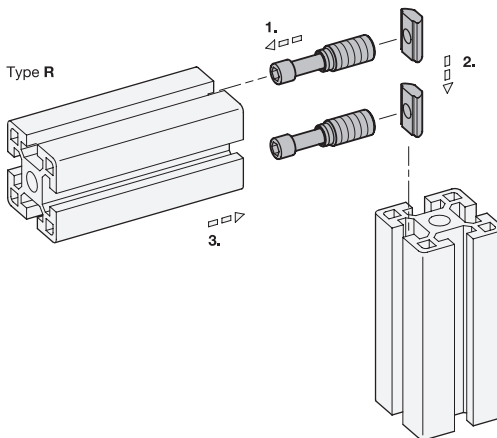
Automatic connectors GN 23b (Coding R) fasten aluminum profiles together at right angles. The connection can be freely positioned and slid along the slot. Automatic connectors GN 23b (Coding S) fasten aluminum profiles together on the end faces to extend them while securing them against twisting. Machining of the profile is not necessary.

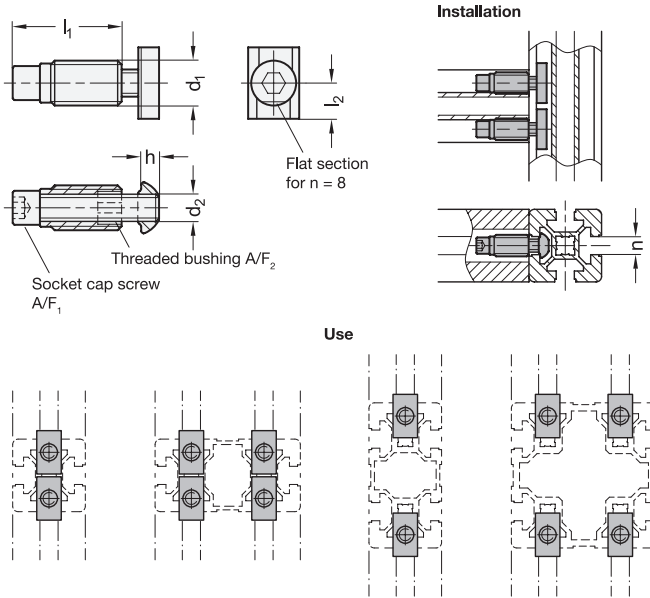
For assembly, first insert the socket cap screw along the slot and then screw in the lightly lubricated threaded bushings. Minor burr formation is possible. Automatic connectors are used in pairs opposite each other. If panels are used in the slot, they must be suitably pocketed.

Automatic connectors are supplied in bundles. The table shows the quantity included in each bundle.



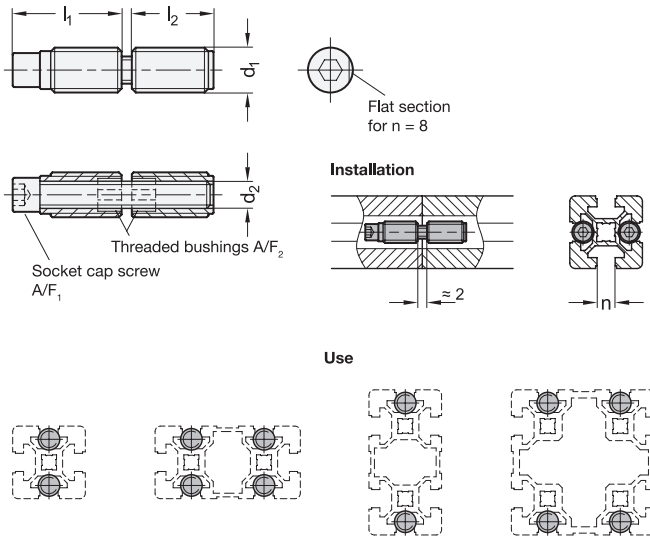
Assembly Instructions





GN 23b-R

Description	n	Bundle Pieces	d1 Self-forming thread	d2	h	l1	l2	A/F1	A/F2	△
GN 23b-8S-R-SZ-4	8	4	S 11	M 6	3.8	32	8	5	T40	60
GN 23b-10L-R-SZ-4	10	4	S 13	M 8	3.8	34	9.5	6	T50	148
GN 23b-10S-R-SZ-4	10	4	S 12	M 8	3.8	34	9.5	6	T50	128



GN 23b-S

Description	n	Bundle Pieces	d1 Self-forming thread	d2	l1	l2	A/F1	A/F2	△
GN 23b-8S-S-SZ-4	8	4	S 11	M 6	32	26	5	T40	108
GN 23b-10L-S-SZ-4	10	4	S 13	M 8	36	26	6	T50	176
GN 23b-10S-S-SZ-4	10	4	S 12	M 8	36	26	6	T50	144

